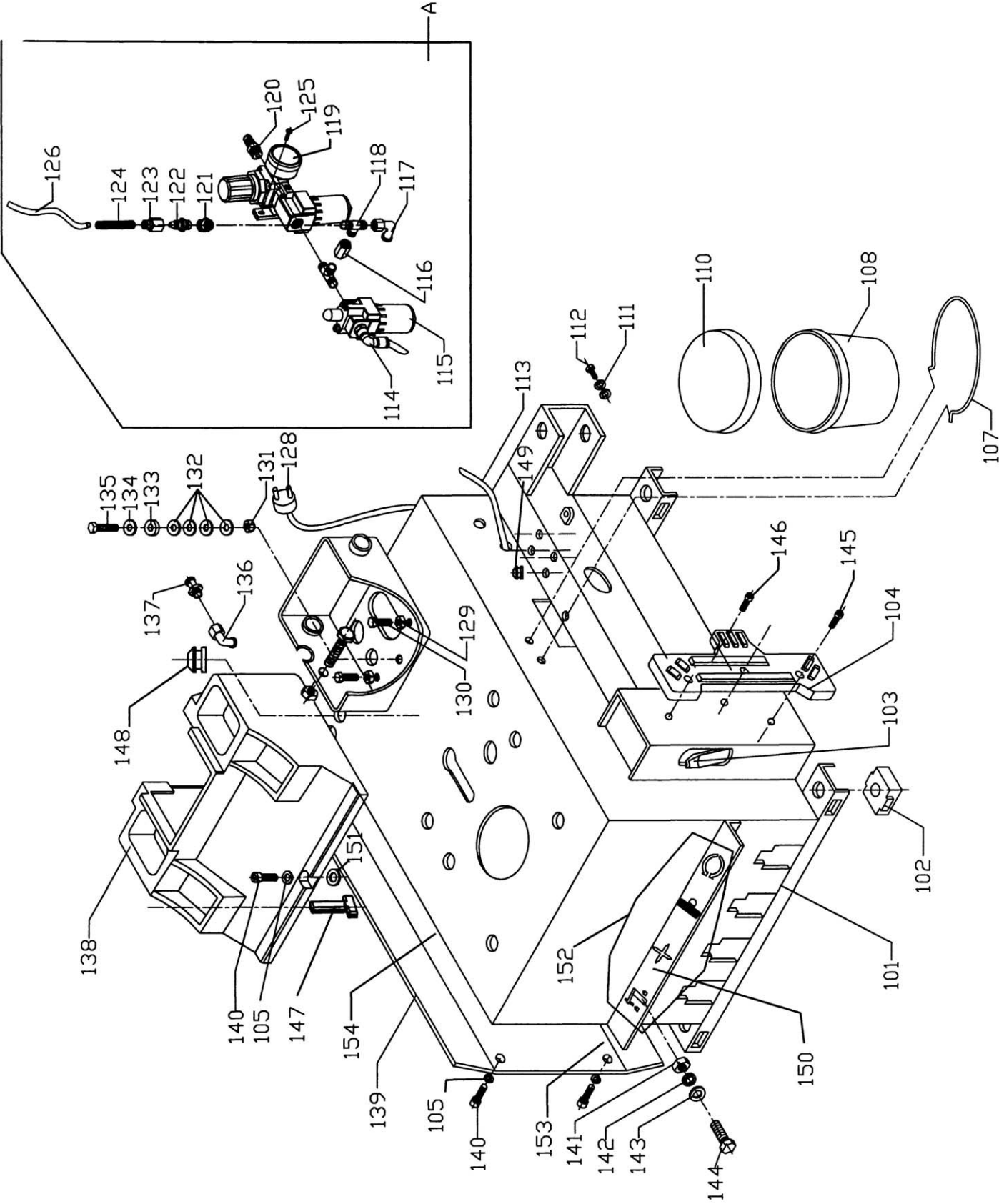
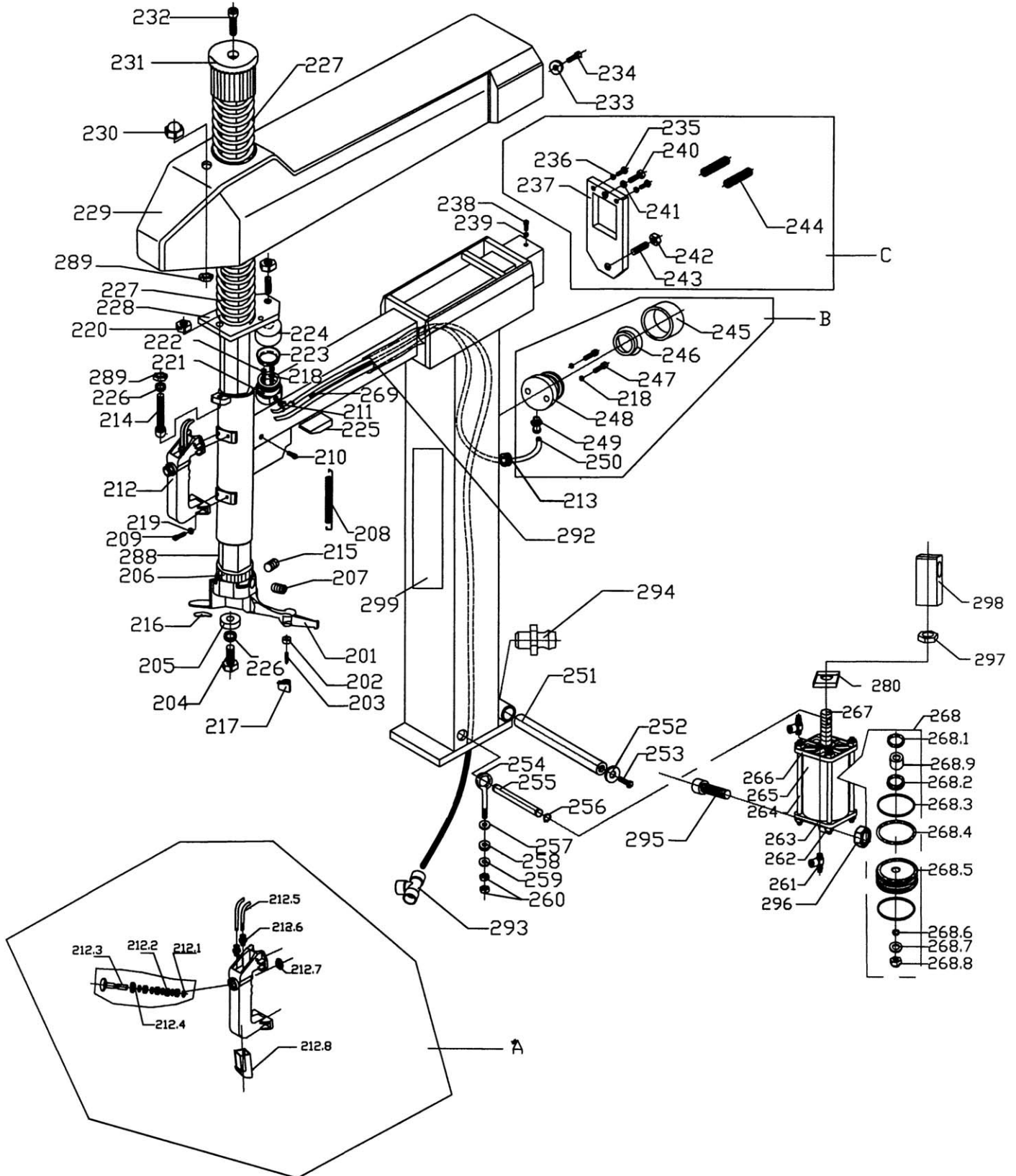


1885IT BODY



1885IT VERTICAL ARM



1885IT VERTICAL ARM

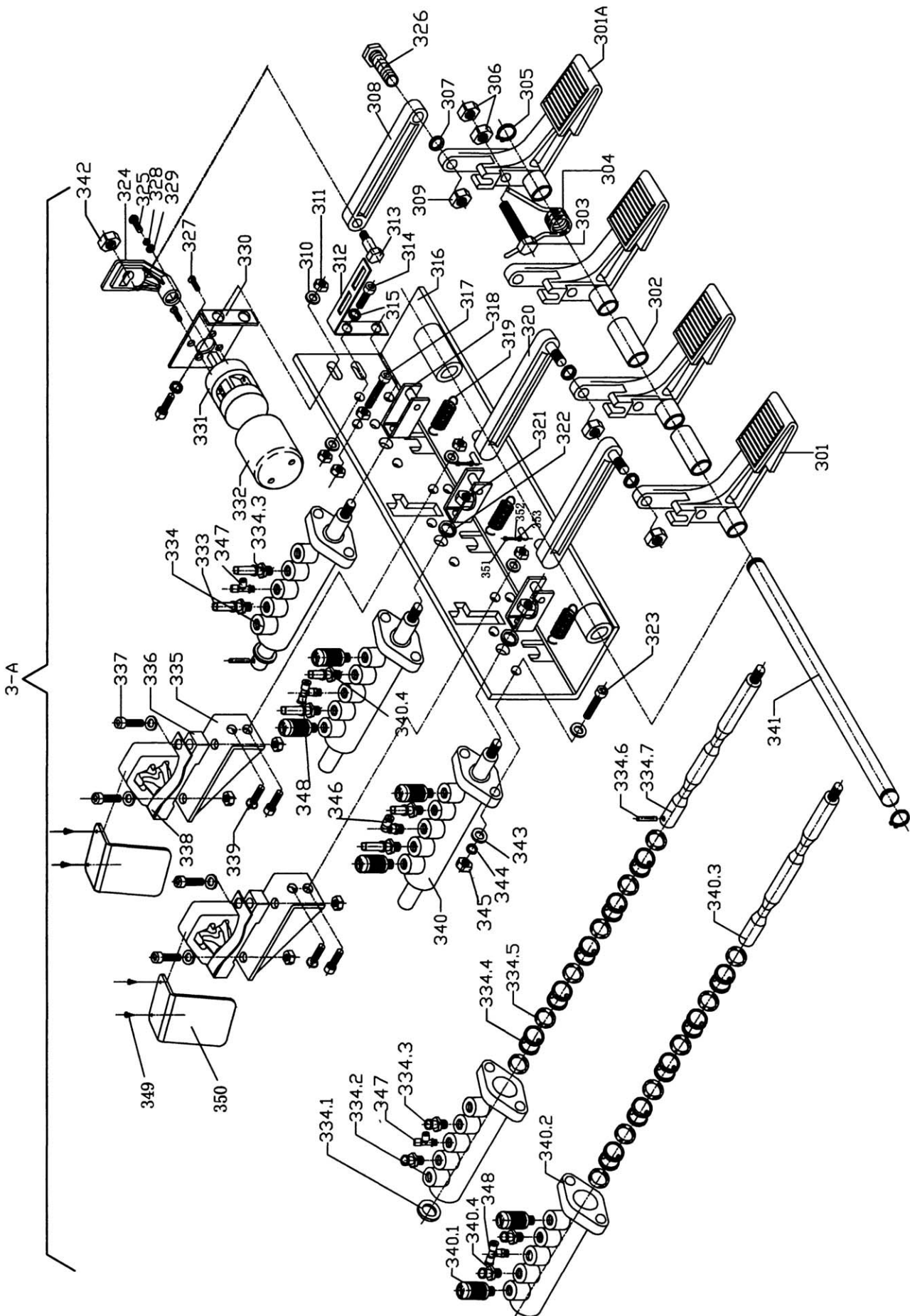
QJ/GM. 8851T. OOF-2006-A EDITI ON

Page 2 of 10

| Kef. | Code | Description | Specification. | Q' TY | Note |
|------|-------------------|------------------------|-------------------|-------|----------------------------------|
| 201 | | Mounting head | | 1 | Для заказа №201 по каталогу 1850 |
| 202 | GT890. 03. 12 | Roller | 13X13 | 1 | Для заказа №202 по каталогу 1850 |
| 203 | GT890. 03. 13 | Pin | 6X24 | 1 | Для заказа №203 по каталогу 1850 |
| 204 | | Screw | M10X25 8.8 degree | 1 | Для заказа №204 по каталогу 1850 |
| 205 | GT890.03.11 | Pressing washer | Ø34XØ11X8 | 1 | Для заказа №205 по каталогу 1850 |
| 206 | | Shock absorber | S36 | 1 | |
| 207 | | Pin | M12X12 | 2 | |
| 208 | GT885.03.08 | Spring | 2.0X9X95 | 2 | |
| 209 | | Screw | M4X16 | 4 | |
| 210 | | Screw | M6X10 | 2 | |
| 211 | | Union | GI/8"-Ø6 | 1 | |
| 212 | | Handle | | 1 | |
| 213 | | Line block up | M20 | 1 | |
| 214 | | Screw | M10X85 | 1 | |
| 215 | | Pin | M12X16 | 2 | Для заказа №206 по каталогу 1850 |
| 216 | | Plastic protection | | 1 | |
| 217 | | Plastic protection | | 1 | |
| 218 | | O-ring | Ø10X2 | 4 | |
| 219 | | Flat washer | 4 | 4 | |
| 220 | | Locknut | M10 | 1 | Для заказа №214 по каталогу 1850 |
| 221 | GT885.03.11 | Cylinder body | | 1 | |
| 222 | | Screw | M6X35 | 2 | |
| 223 | | Y-ring | 65X8 | 1 | |
| 224 | GT885. 03. 10 | Cylinder housing | | 1 | |
| 225 | | Positioning blade | | 1 | |
| 226 | | Elastic washer | 10 | 2 | |
| 227 | GT890. 03. 04 | Spring | Ø640X3.0X50 | 1 | |
| 228 | GT885.03. 07 | Locking plate | | 1 | |
| 229 | | Protection cover | | 1 | |
| 230 | | Nut | M10 | 1 | |
| 231 | GT890. 03. 03 | Knob | M10 | 1 | Для заказа №219 по каталогу 1850 |
| 232 | | Screw | M10X30 | 1 | |
| 233 | | Flat washer | 6 | 1 | |
| 234 | | Screw | M6X16 | 1 | |
| 235 | | Screw | M6X30 | 2 | |
| 236 | | Nut | M6 | 2 | |
| 237 | GT885. 03. 12. 00 | Locking plate | | 1 | |
| 238 | | Screw | M6X10 | 1 | |
| 239 | | Elastic washer | 6 | 1 | |
| 240 | | Screw | M8X35 | 1 | |
| 241 | | Nut | M8 | 1 | |
| 242 | | Nut | M10X1 | 2 | |
| 243 | | Pin | M10X1X25 | 2 | |
| 244 | GT885. 03. 13 | Spring | 2.0X14.5X13 | 2 | |
| 245 | GT885. 03. 10 | Cylinder housing | | 1 | |
| 246 | | Y-ring | | 1 | |
| 247 | | Screw | M6X35 | 2 | |
| 248 | GT885.03.11 | Cylinder body | | 1 | |
| 249 | | | | | |
| 250 | | PU hose | Ø6X1 | 3.8m | Hard hose |
| 251 | GT885. 03. 15 | Rotating spindle | | 1 | |
| 252 | GT885. 03. 14 | Washer | | 2 | |
| 253 | | Screw | M16X25 | 2 | 8.8 degree |
| 254 | GT885. 03. 17 | Connecting rod | | 1 | |
| 255 | GT885. 03. 16 | Spindle | Ø16 | 1 | |
| 256 | | beeger ring | 16# | 2 | |
| 257 | | Non standard Washer | 10 | 1 | |
| 258 | | Washer | 30X15X10 | 1 | |
| 259 | | Non -standard Washer | 10 | 1 | |
| 260 | | Nut | M10 | 2 | |
| 261 | | Valve | GI/4"-Ø8 | 2 | |
| 262 | | Locknut | M8 | 8 | |
| 263 | T-24X. 00. 05 | Cylinder rear housing | | 1 | |
| 264 | T-XD. 00. 03 | Union | | 4 | |
| 265 | T-XD. 00. 1 | Cylinder body | | 1 | |
| 266 | T-24X. 00. 1 | Cylinder front housing | | 1 | |

| Ref. | Code | Description | Specification | Q'Ty | Note |
|--------|----------------|-----------------------|---------------|------|------|
| 267 | T-XD. 00. 2 | Shaft for cylinder | | 1 | |
| 268 | T-XD. 00. 00 | Cylinder assy | | 1 | |
| 268.1 | | (bring | Ø25X3.1 | 1 | |
| 268.2 | | Y-ring | Ø30X18.6X5 | 1 | |
| 268.3 | | O-ring | Ø80X3.1 | 2 | |
| 268.4 | | O-ring | Ø80X5.7 | 2 | |
| 268.5 | T-24X. 00. 04 | Piston | | 1 | |
| 268. 6 | | O-ring | Ø14. 5X2 | 1 | |
| 268.7 | | Flat washer | 10 | 1 | |
| 268. 8 | | Locknut | M10 | 1 | |
| 268.9 | T-24X. 00. 07 | Guide sheath | | 1 | |
| 269 | GT885. 03. 19 | Support steel wire | | 1 | |
| 270 | | | | | |
| 271 | | | | | |
| 272 | | | | | |
| 273 | | | | | |
| 274 | | | | | |
| 275 | | | | | |
| 276 | | | | | |
| 277 | | | | | |
| 278 | | | | | |
| 279 | | | | | |
| 280 | | Dustproof washer | | 1 | |
| 281 | | | | | |
| 282 | | | | | |
| 283 | | | | | |
| 284 | | | | | |
| 285 | | | | | |
| 286 | | | | | |
| 287 | | | | | |
| 288 | GT885. 03. 06A | Hexangular shaft | | 1 | |
| A | | Gauge assy | | 1 | |
| B | | Locking cylinder assy | | 1 | |
| C | | Locking plate | | 1 | |
| 289 | | Nut | M10 | 2 | |
| 290 | | | | | |
| 291 | | | | | |
| 292 | | Hose | Ø 12X1 | 0.6m | |
| 293 | | Union | Ø6-8 | 1 | |
| 294 | | Oil container | M6 | 1 | |
| 295 | | Screw | M12X60 | 1 | |
| 296 | | Locknut | M12 | 1 | |
| 297 | | Nut | M12 | 1 | |
| 298 | | Union | | 1 | |
| 299 | | Sticker | | 1 | |
| 212.1 | | O-ring | Ø8X2.65 | 5 | |
| 212.2 | | Spacer | Ø12X8X7 | 4 | |
| 212.3 | | Valve pin | | 1 | |
| 212. 4 | | Spacer | | 1 | |
| 212.5 | | PU hose | Ø6X4 | 3.8m | |
| 212. 6 | | Union | GI/8"-Ø6 | 3 | |
| 212.7 | | Cover | | 1 | |
| 212.8 | | Silencer | | 1 | |
| | | | | | |
| | | | | | |
| | | | | | |
| | | | | | |

1885IT SPARE PART-PEDAL UNIT



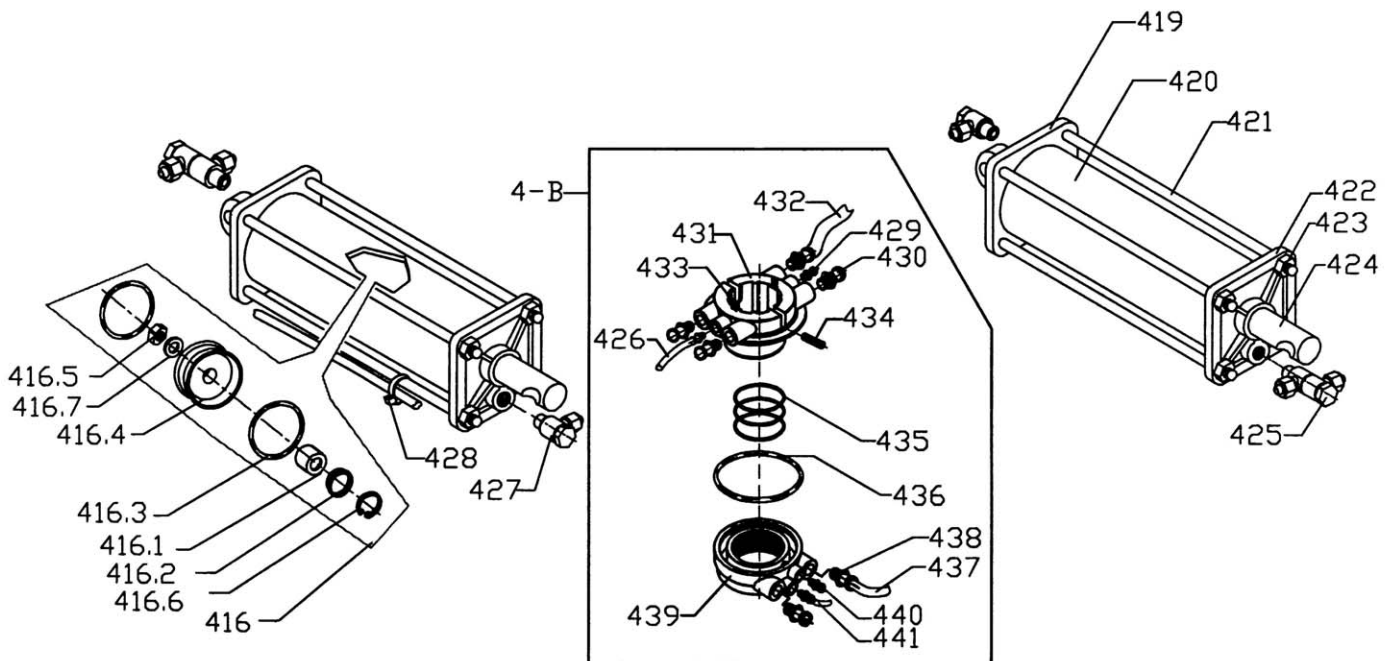
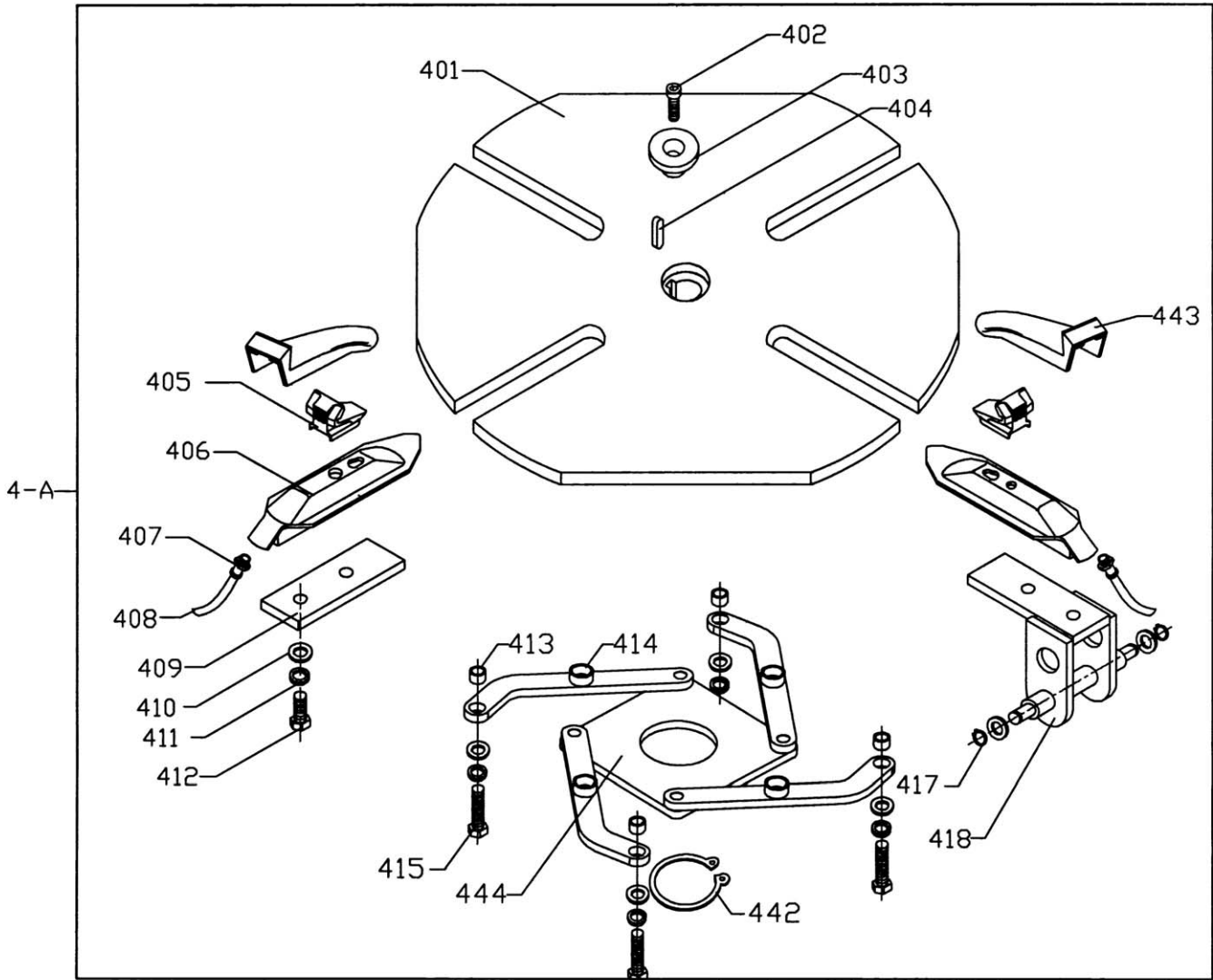
1885IT PEDAL UNIT

T- D.04.00

QJ/GM. 885IT.OOF-2006-A EDITION

Page 3 of 10

| Ref. | Code | Description | Specification | QTY | Note |
|-------|-----------------|-----------------------|---------------------|------|------------------------------------|
| 301 | T-D. 02. 12B | Pedal | | 3 | Для заказа №301 по каталогу 1850 |
| 301A | T-D. 02. 12C | Pedal | | 1 | Для заказа №301 по каталогу 1850 |
| 302 | T-D. 02. 01 | Pedal Spacer | | 2 | Для заказа №302 по каталогу 1850 |
| 303 | | Screw | M8X55 (half buckle) | 1 | Для заказа №303 по каталогу 1850 |
| 304 | T-D. 02. 02 | Spring | | 1 | Для заказа №304 по каталогу 1850 |
| 305 | | Seeger ring | 14# | 2 | Для заказа №305 по каталогу 1850 |
| 306 | | Nut | M8 | 2 | Для заказа №306 по каталогу 1850 |
| 307 | T-D. 02. 25 | Spacer | | 3 | |
| 308 | T-D. 02. 22A | Switch connecting rod | | 1 | Для заказа №308 по каталогу 1850 |
| 309 | | Locknut | M8 | 3 | Для заказа №309 по каталогу 1850 |
| 310 | | Flat washer | 6 | 8 | Для заказа №310 по каталогу 1850 |
| 311 | | Nut | M6 | 14 | Для заказа №311 по каталогу 1850 |
| 312 | T-D. 02. 21 | Spring bracket | | 1 | Для заказа №312 по каталогу 1850 |
| 313 | T-D. 02. 26A | Spindle | | 1 | Для заказа №313 по каталогу 1850 |
| 314 | | Screw | M6X16 | 6 | Для заказа №314 по каталогу 1850 |
| 315 | | Elastic washer | 6 | 11 | Для заказа №315 по каталогу 1850 |
| 316 | T-D. 04. 02. 00 | Pedal bracket | | 1 | |
| 317 | | Screw | M6X30 | 1 | Для заказа №317 по каталогу 1850 |
| 318 | T-D. 02. 15 | Bracket | | 3 | Для заказа №318 по каталогу 1850 |
| 319 | T-D. 02. 04 | Spring | | 3 | Для заказа №319 по каталогу 1850 |
| 320 | T-D. 01. 09 | Connecting rod | | 2 | Для заказа №320 по каталогу 1850 |
| 321 | | Locknut | M8 | 3 | Для заказа №321 по каталогу 1850 |
| 322 | T-D. 02. 10 | Spacer | | 2 | Для заказа №322 по каталогу 1850 |
| 323 | | Screw | M5X25 | 6 | Для заказа №323 по каталогу 1850 |
| 324 | T-D. 02. 23A | Reverse lever | □ 8 (small) | 1 | |
| 325 | | Pin | 4X10 | 1 | |
| 326 | | Screw | M8X40 | 1 | |
| 327 | | Screw | M5X16 | 4 | |
| 328 | | Elastic washer | 4 | 1 | |
| 329 | | Flat washer | 4 | 1 | |
| 330 | T-D. 02. 17 | Switch bracket | | 1 | Для заказа №330 по каталогу 1850 |
| 331 | | Reverse switch | 40A | 1 | Для заказа №331 по каталогу 1850 |
| 332 | | Reverse switch guide | | 1 | Для заказа №332 по каталогу 1850 |
| 333 | | PU hose | ∅8X5 | some | Для заказа №333 по каталогу 1850 |
| 334 | | Valve assemble | | 1 | Для заказа №334 по каталогу 1850 |
| 334.1 | | Flat washer | 10 | 1 | Для заказа №334.1 по каталогу 1850 |
| 334.2 | T-D. 02. 14 | Valve body | | 1 | Для заказа №334.2 по каталогу 1850 |
| 334.3 | | Union | GI/8"- ∅8 | 4 | Для заказа №334.3 по каталогу 1850 |
| 334.4 | T-D. 01. 16 | Spacer | | 15 | Для заказа №334.5 по каталогу 1850 |
| 334.5 | | O-ring | ∅ 17X4 | 18 | Для заказа №334.6 по каталогу 1850 |
| 334.6 | | Spring pin | ∅ 4X20 | 1 | Для заказа №334.7 по каталогу 1850 |
| 334.7 | T-D. 02. 13A | Shaft for cylinder | | 1 | Для заказа №334.8 по каталогу 1850 |
| 335 | T-D. 02. 05 | Cam bracket | | 2 | Для заказа №335 по каталогу 1850 |
| 336 | T-D. 01. 10 | Cam | | 2 | Для заказа №336 по каталогу 1850 |
| 337 | | Screw | M6X25 | 4 | Для заказа №337 по каталогу 1850 |
| 338 | | Fork plate spring | | 2 | Для заказа №338 по каталогу 1850 |
| 339 | | Screw | M6X16 | 2 | Для заказа №339 по каталогу 1850 |
| 340 | | Valve assemble | | 2 | Для заказа №340 по каталогу 1850 |
| 340.1 | | Silencer | GI/8" | 6 | Для заказа №340.1 по каталогу 1850 |
| 340.2 | T-D. 02. 14 | Valve body | | 2 | Для заказа №340.3 по каталогу 1850 |
| 340.3 | T-D. 02. 07 | Valve pin | | 2 | Для заказа №340.4 по каталогу 1850 |
| 340.4 | | Union | GI/8"-∅6 | 2 | Для заказа №340.5 по каталогу 1850 |
| 341 | T-D. 04. 01 | Spindle | | 1 | |
| 3-A | T-D. 04. 00 | Pedal assy | | 1 | |
| 342 | | Locknut | M6 | 1 | |
| 343 | | Flat washer | ∅5 | 12 | Для заказа №344 по каталогу 1850 |
| 344 | | Elastic washer | ∅5 | 6 | Для заказа №345 по каталогу 1850 |
| 345 | | Nut | M5 | 6 | Для заказа №346 по каталогу 1850 |
| 346 | | Union | ∅8 1/8 | 1 | |
| 347 | | Union | ∅8 1/8 | 1 | |
| 348 | | Union | ∅8 1/8 | 1 | |
| 349 | | Pin | M3X10 | 4 | Для заказа №342 по каталогу 1850 |
| 350 | | Cam plate | | 2 | Для заказа №343 по каталогу 1850 |
| 351 | | Screw | M10X25 | 2 | Для заказа №349 по каталогу 1850 |
| 352 | | Elastic washer | ∅10 | 2 | |
| 353 | | Flat washer | ∅10 | 2 | Для заказа №347 по каталогу 1850 |



1885IT TURNTABLE

T-20YK.00.00

QJ/GM.1885IT.OOF-2006-A EDITION

| Ref. | Code | Description | Specification | Q'TY | Note |
|-------|--------------------|------------------------|---------------|------|-------------------------------------|
| 401 | T-20YK. 00. OIF | Turntable | | 1 | |
| 402 | | Screw | M12X30 | 1 | Для заказа №402 по каталогу 1850 |
| 403 | T-18Y. 00. 02 | Turntable cap | | 1 | Для заказа №403 по каталогу 1850 |
| 404 | | Disk kev | 10X45 | 1 | Для заказа №404 по каталогу 1850 |
| 405 | T-18Y. 00. 03 | Clamp | | 4 | Для заказа №405 по каталогу 1850 |
| 406 | T-18YK. 00. 02. 00 | Slide | | 4 | |
| 407 | | Union | GI/8" Ø10 | 4 | |
| 408 | | PU hose | Ø10 | some | |
| 409 | T-20YK. 00. 04 | Slide plate | | 2 | |
| 410 | | Flat washer | 12 | 12 | Для заказа №408 по каталогу 1850 |
| 411 | | Elastic washer | 12 | 8 | Для заказа №409 по каталогу 1850 |
| 412 | | Screw | M12X30 | 4 | Для заказа №410 по каталогу 1850 |
| 413 | T-18Y.00.08 | Washer | | 4 | Для заказа №411 по каталогу 1850 |
| 414 | T-20YK. 00. 03. 00 | Connecting Dlate | | 4 | |
| 415 | | Screw | M12X83 | 4 | Для заказа №413 по каталогу 1850 |
| 416 | T 20X. 00. OOB | Cylinder assy | Ø70X327 | 2 | |
| 416.1 | | wearable spacer | Ø20X23X20 | 2 | |
| 416.2 | | Y-ring | Ø30X20X7 | 2 | |
| 416.3 | | O-ring | Ø70X2.65 | 4 | Для заказа №417.9 по каталогу 1850 |
| 416.4 | | Rubber bowl | Ø70X22X11.7 | 2 | Для заказа №417.11 по каталогу 1850 |
| 416.5 | | Locknut | M12 | 2 | Для заказа №417.12 по каталогу 1850 |
| 416.6 | | Seeger ring | 30 # | 2 | |
| 416.7 | | Flat washer | 12 | 2 | Для заказа №417.10 по каталогу 1850 |
| 417 | | Seeger ring | 12# | 4 | Для заказа №415 по каталогу 1850 |
| 418 | T-20YK. 00. 02. 00 | Cylinder bracket | | 2 | |
| 419 | T-18X. 00. 05 | Rear housing for | | 2 | Для заказа №417.1 по каталогу 1850 |
| 420 | T-20X. 00. 02 | Cylinder body | | 2 | уточн. По кат.1850 поз.420? |
| 421 | T-20X. 00. 03A | Union | M8 | 8 | |
| 422 | T 18X. 00. 02A | Front housing for | | 2 | Для заказа №417.3 по каталогу 1850 |
| 423 | | Locknut | M8 | 8 | Для заказа №417.4 по каталогу 1850 |
| 424 | T-20X. 00. 01A | Shaft for cylinder | | 2 | |
| 425 | | Union | Ø6 | 2 | Для заказа №417.6 по каталогу 1850 |
| 426 | | PU hose | Ø6X4 | some | Для заказа №418 по каталогу 1850 |
| 427 | | Union | Ø6 | 2 | Для заказа №417.13 по каталогу 1850 |
| 428 | | Nylon rope | 4X150 | 6 | Для заказа №417.14 по каталогу 1850 |
| 429 | | Union | GI/8" Ø6 | 2 | Для заказа №421 по каталогу 1850 |
| 430 | | Union | GI/4" Ø10 | 4 | |
| 431 | T-J. 00. 02A | Rotate union (inside) | | 1 | |
| 432 | | PU hose | Ø10 | some | |
| 433 | | Screw | M3X6 | 4 | Для заказа №423 по каталогу 1850 |
| 434 | | Screw | M6X25 | 2 | |
| 435 | | O-ring | Ø60X2.65 | 3 | Для заказа №425 по каталогу 1850 |
| 436 | | O-ring | Ø90X2.65 | 1 | |
| 437 | | PU hose | Ø12 | some | |
| 438 | | Union | GI/4" Ø12 | 2 | |
| 439 | T-J. 00. 03A | Rotate union (outside) | | 1 | |
| 440 | | Union | GI/8" Ø6 | 2 | |
| 441 | | PU hose | Ø6X4 | some | |
| 442 | | Seeger ring | 65 # | 1 | |
| 443 | | Clamp plastic cover | | 4 | Для заказа №419 по каталогу 1850 |
| 4-A | | Turntable assy | | 1 | |
| 4-B | | Rotate union complete | | 1 | |
| 444 | T-18Y. 00. 07. 00 | Square turntable | | 1 | |

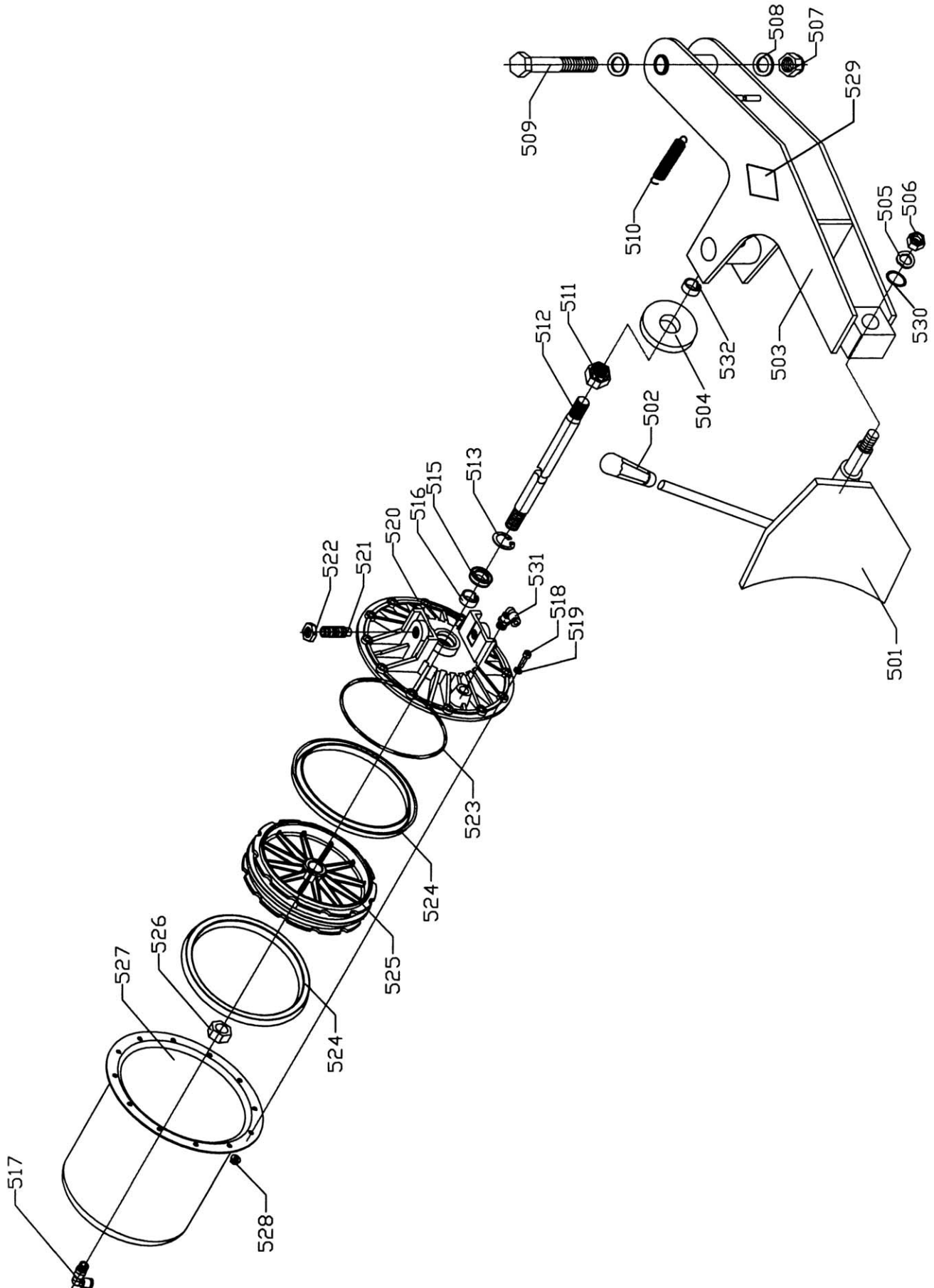
1885IT-CYLINDER AND BEAD BREAKER

T-B.02.00

T-LS.02.00A

QJ/GM. 885IT. 00F-2006-A EDITION

Page 5 of 10



1885IT CYLINDER AND BEAD BREAKER

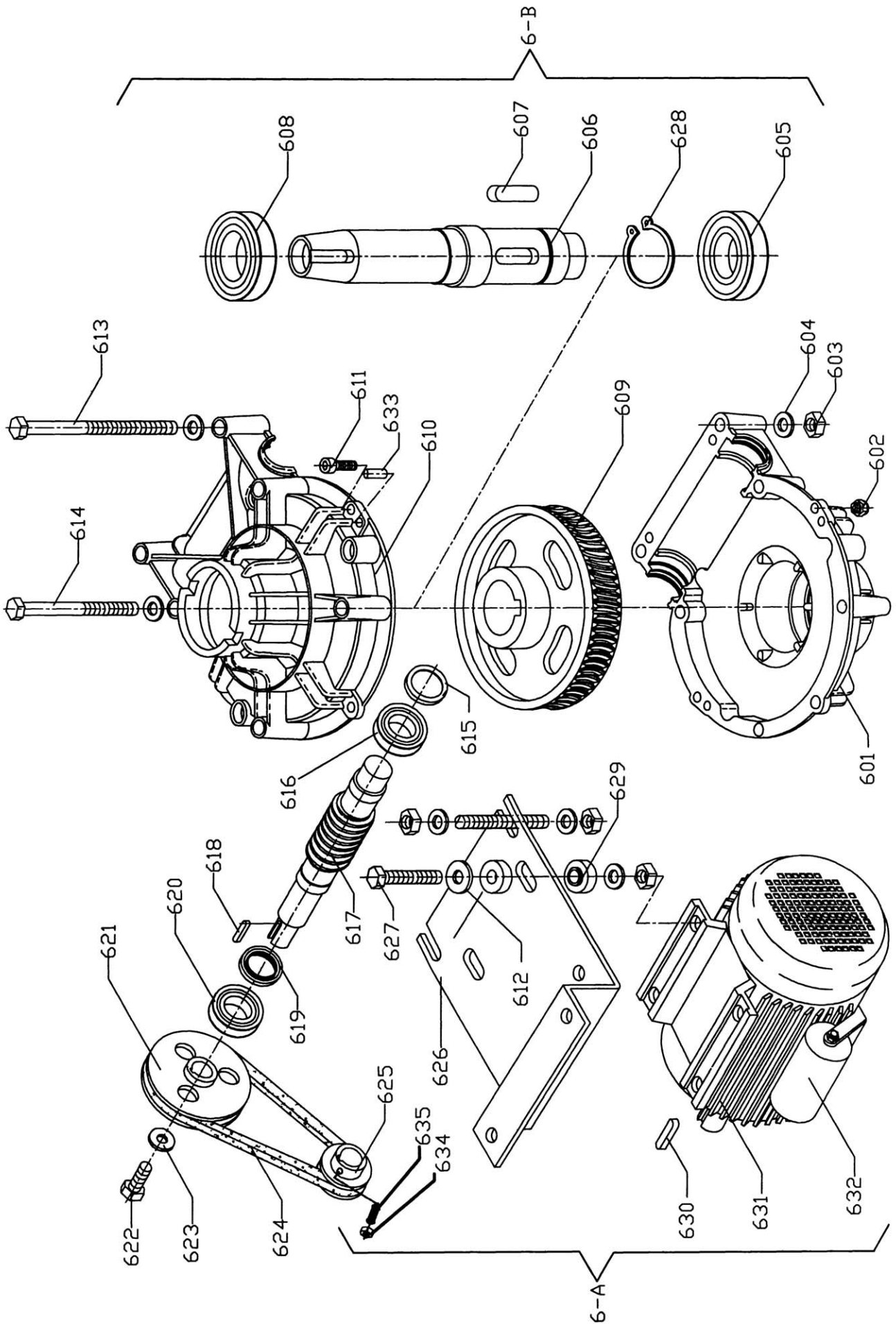
T-B.02.00; T-LS.02.00A

OJ/6M.885IT.OOF-2006-A EDITION

page 5 of 10

| Ref. | Code | Description | Specification | Q'TY | Note |
|------|---------------|----------------------|----------------------|------|--|
| 501 | T-C. 02. 00 | Bead breaker shoe | | 1 | Для заказа №501 по каталогу 1850 |
| 502 | GT890. 03. 14 | Handle cover | | 1 | Для заказа №502 по каталогу 1850 |
| 503 | T-B. 02. 00 | Bead breaker | | 1 | |
| | | | | 1 | |
| 504 | | Washer | Ø80X20X10 | 1 | Для заказа №504 по каталогу 1850 |
| 505 | | Washer | 14 | 1 | Для заказа №505 по каталогу 1850 |
| 506 | | Lockout | M14 | 1 | Для заказа №506 по каталогу 1850 |
| 507 | | Locknut | M16 | 1 | Для заказа №507 по каталогу 1850 |
| 508 | | Flat washer | 16 | 2 | Для заказа №508 по каталогу 1850 |
| 509 | | Screw | M16X100 | 1 | Для заказа №509 по каталогу 1850 |
| 510 | T-B. 02. 07A | Spring | Ø13(inside) | 1 | |
| 511 | | Locknut | M18X1.5 | 1 | Для заказа №511 по каталогу 1850 |
| 512 | T-LS. 02; 01A | Cylinder shaft | 445mm | 1 | |
| 513 | | Seeger ring | 30# | 1 | Для заказа №513 по каталогу 1850 |
| 514 | | | | | |
| 515 | | Y-ring | Ø30XØ20X5 | 1 | |
| 516 | | Guide for piston rod | 50 (length) X10X2. 1 | 1 | Для заказа №516 по каталогу 1850 |
| 517 | | Union | GI/8"- Ø8 | 1 | |
| 518 | | Screw | M6X20 | 12 | |
| 519 | | Flat washer | 6 | 12 | Для заказа №519 по каталогу 1850 |
| 520 | T-LS. 01. 04A | Cylinder housing | | 1 | |
| 521 | | Screw | M14X42 | 2 | machine for special Для заказа №521 |
| 522 | | Nut | M14-S19 | 2 | Для заказа №522 по каталогу 1850 |
| 523 | | O-ring | Ø185X5. 7 | 1 | |
| 524 | | Bowl | Ø186X12X9 | 2 | Для заказа №524 по каталогу 1850 |
| 525 | T-LS. 01. 02A | Piston | | 1 | Для заказа №525 по каталогу 1850 |
| 526 | | Nut | M18X1. 5 | 1 | Для заказа №526 по каталогу 1850 |
| 527 | T-LS. 01. 03B | Cylinder body | | 1 | Для заказа №527 по каталогу 1850 |
| 528 | | Nut | M6 | 12 | Для заказа №528 по каталогу 1850 |
| 529 | | Bead breaker sticker | | 1 | |
| 530 | | Non standard washer | 37X13X2. 5 | 1 | Для заказа №530 по каталогу 1850 |
| 531 | | Union | GI/4"- Ø8 | 1 | |
| 532 | T-B. 02. 08 | Spacer | | 1 | |
| 533 | | | | | |
| 534 | | | | | |
| 535 | | | | | |
| 536 | | | | | |
| 537 | | | | | |
| 538 | | | | | |
| 539 | | | | | |
| 540 | | | | | |
| 541 | | | | | |
| 542 | | | | | |
| 543 | | | | | |
| 544 | | | | | |
| 545 | | | | | |
| 546 | | | | | |
| 547 | | | | | |
| 548 | | | | | |
| 549 | | | | | |
| 550 | | | | | |
| 551 | | | | | |
| 552 | | | | | |
| 553 | | | | | |
| 554 | | | | | |
| 555 | | | | | |
| 556 | | | | | |
| 557 | | | | | |
| 558 | | | | | |
| 559 | | | | | |
| 560 | | | | | |
| 561 | | | | | |
| 562 | | | | | |
| 563 | | | | | |
| 564 | | | | | |

1885IT GEARBOX

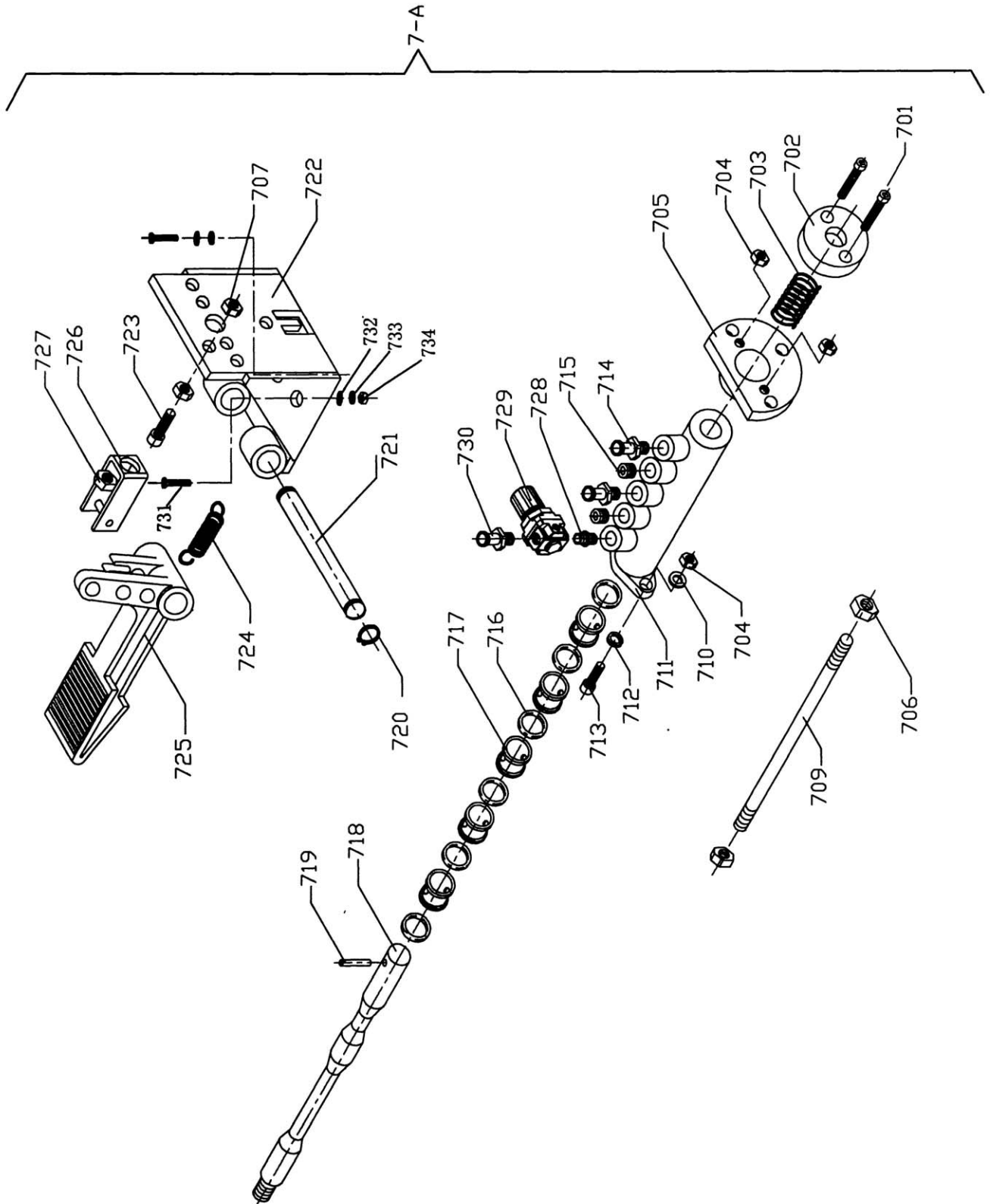


1885IT INFLATING PEDAL UNIT

T-K.01.00

QJ/GM. 885IT. 00F-2006-A EDITION

Page 7 of 10



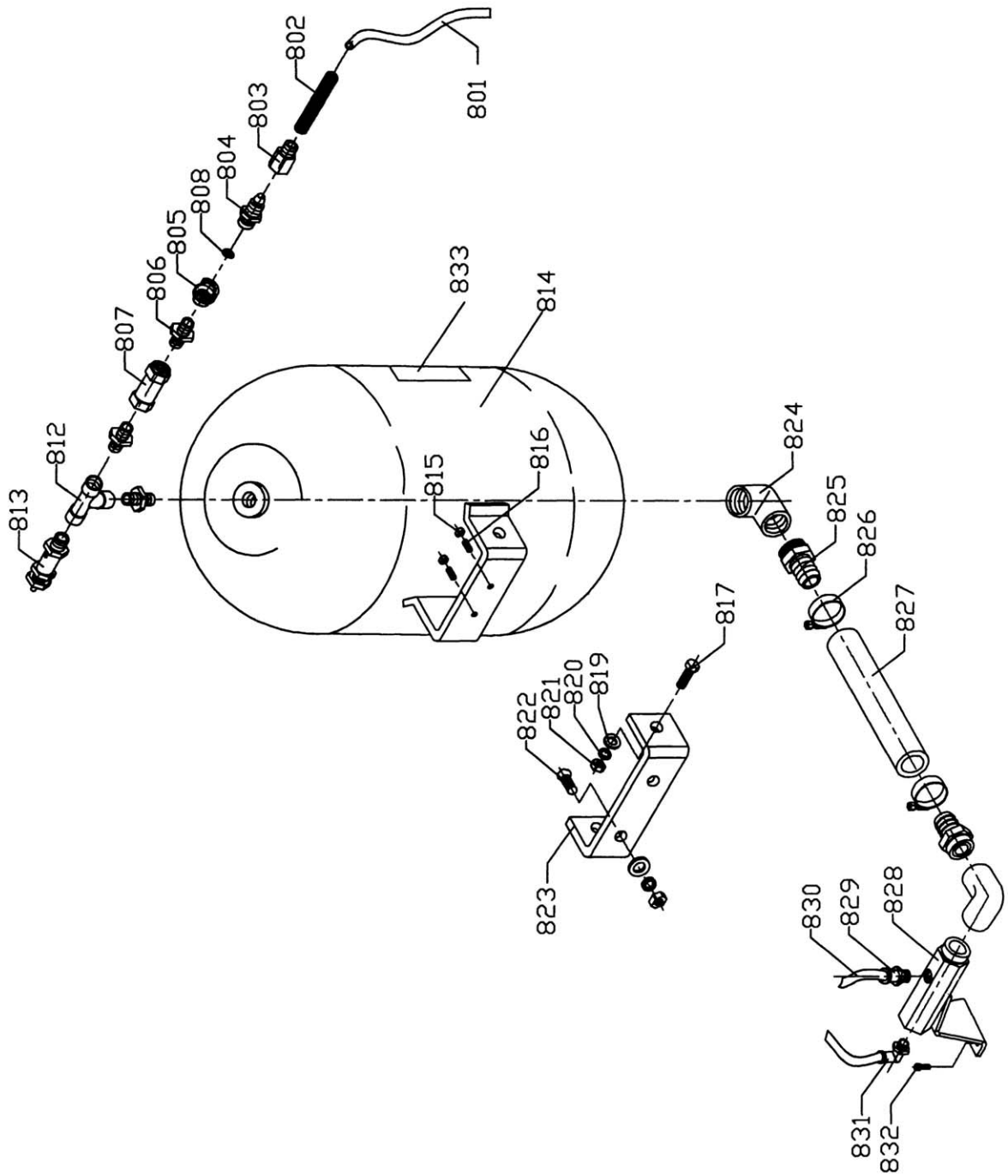
1885IT SPARE PART-AIR TANK

T-K.02.00

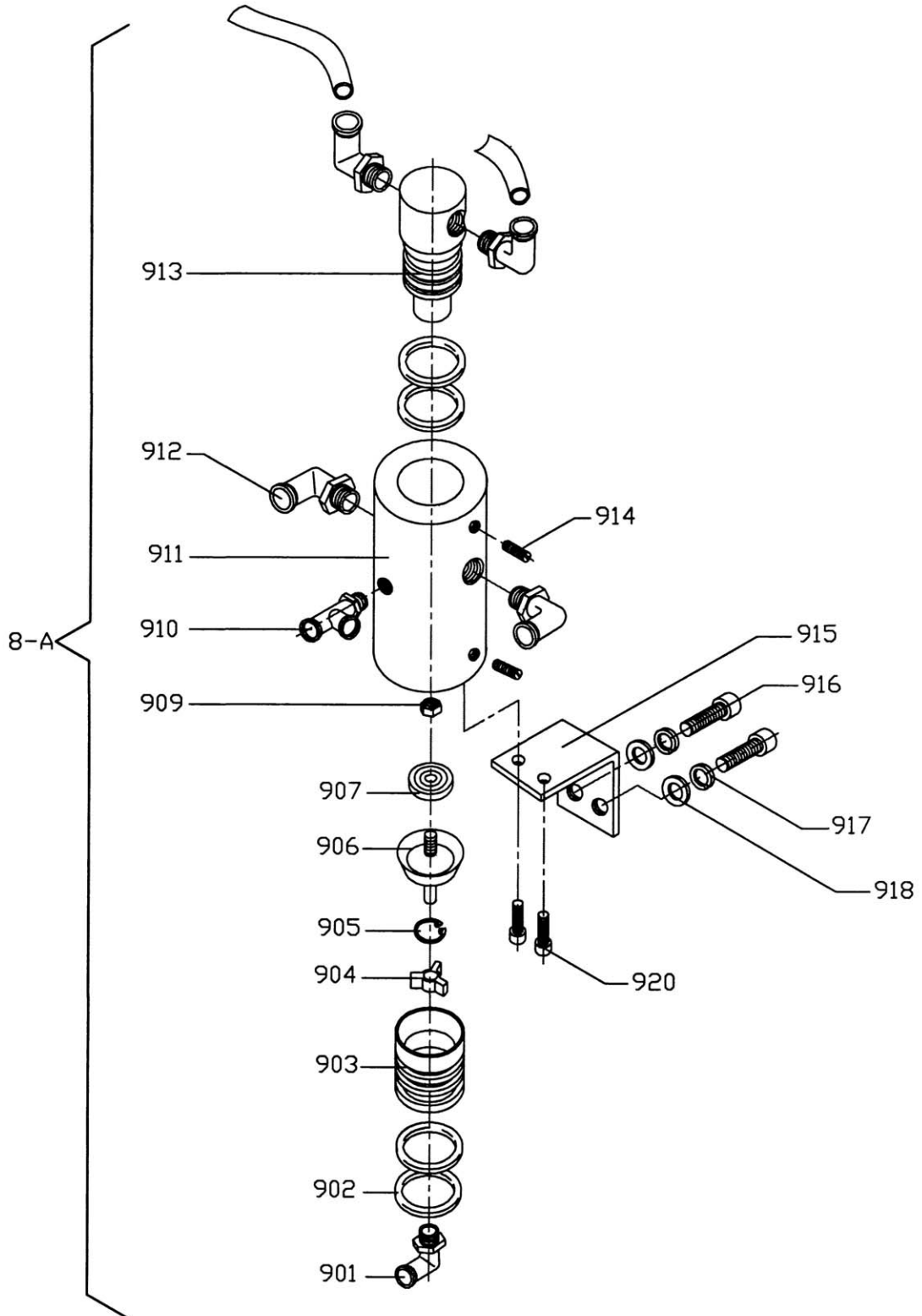
T-K.04.00

QJ/GM. 885IT. 00F-2006-A EDITION

Page 8 of 10



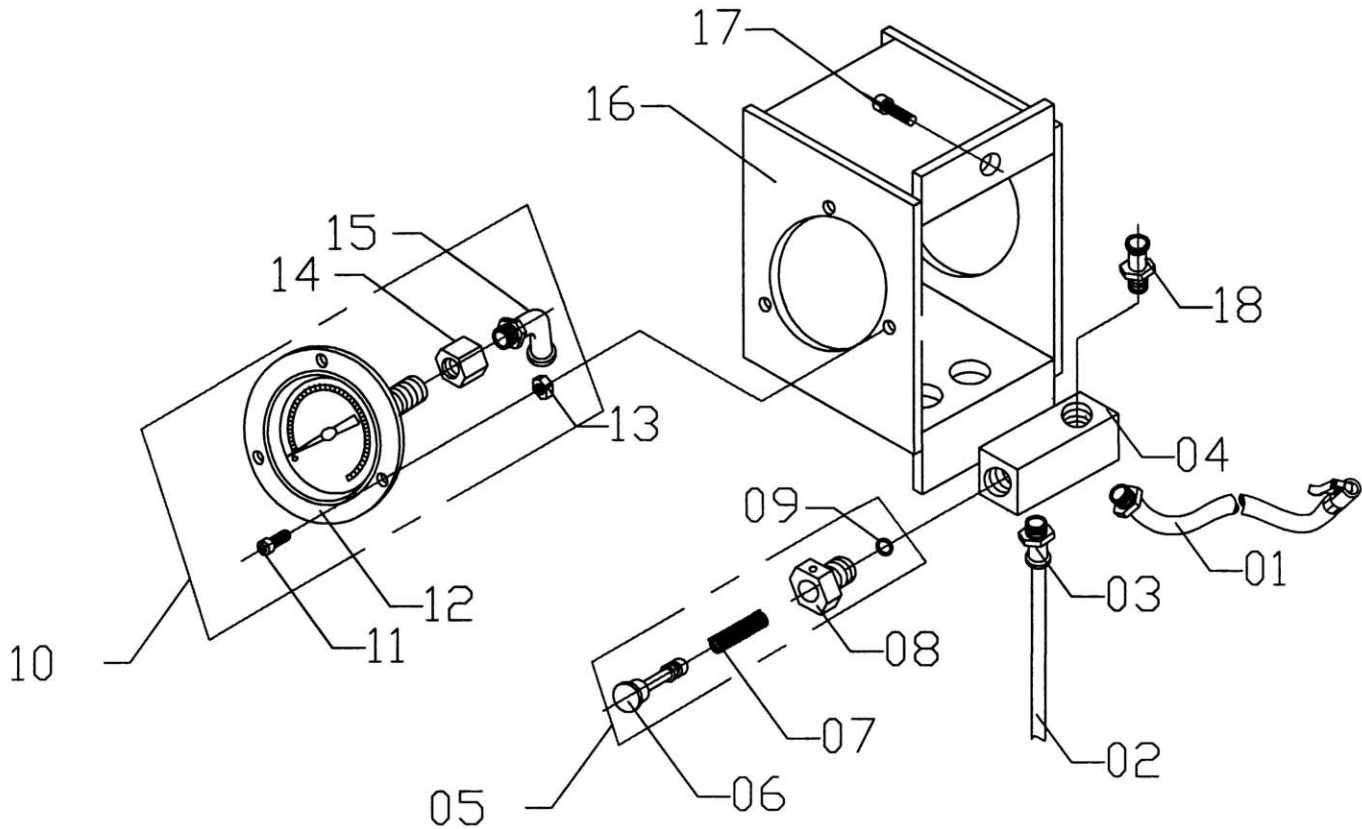
1885IT QUICK DEFLATION VALVE



INFLATING GAUGE UNIT

T-K. 03. 00A

Page 10 of 10



INFLATING GAUGE UNIT

| Ref | Description | Specif. | Qt'y | Note | Ref | Description | Specif. | Qt'y | Note |
|-----|-------------------------|------------------|------|--------------|-----|----------------|------------------------|------|-----------|
| 01 | Pneumatic hose | GI/4"-Ø8 | 1 | | 11 | Nut | M4X12 | 3 | |
| 02 | PU hose | Ø8X5 | some | | 12 | Pressure guage | 0.1-1.0 Mpa M14X1.5 | 1 | |
| 03 | Union | GI/4"-Ø8 | 1 | | 13 | Screw | M4 | 3 | |
| 04 | Valve | | 1 | T-K.03.03 | 14 | Union | | 1 | T-K.03.04 |
| 05 | Valve assemble | | 1 | T-K.03.02.00 | 15 | Union | GI/8"-Ø8 | 1 | |
| 06 | Push button | | 1 | T-K.03.02.02 | 16 | Gauge cover | | 1 | T-K.03.01 |
| 07 | Spring | Ø7.5X Ø0.8X16 | 1 | T-K.03.02.03 | 17 | Screw | M6X10 | 2 | |
| 08 | Valve body | | 1 | T-K.03.02.01 | 18 | Union | GI/8"-Ø8 | 1 | |
| 09 | O-ring | Ø7X1.9 | 1 | | | | | | |
| 10 | Pressure gauge assemble | | 1 | | | | | | |